

**YOU HAVE RECEIVED YOUR BEEPAK HIVE.
YOU WILL NOTICE ALL THE PARTS HAVE BEEN CAREFULLY PACKED INTO THE BROOD BOX (BOTTOM COMPARTMENT).**

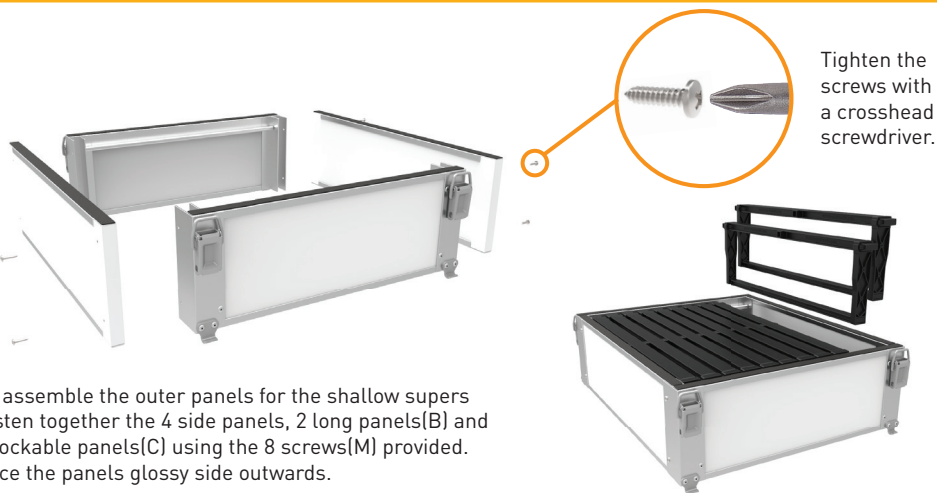
1 FRAME ASSEMBLY



To assemble the brood box frames, snap together parts (K),(G) and (H) to create 11 tall frames.

To assemble the shallow super frames, snap together parts (L),(G) and (H) to create 22 shallow frames.

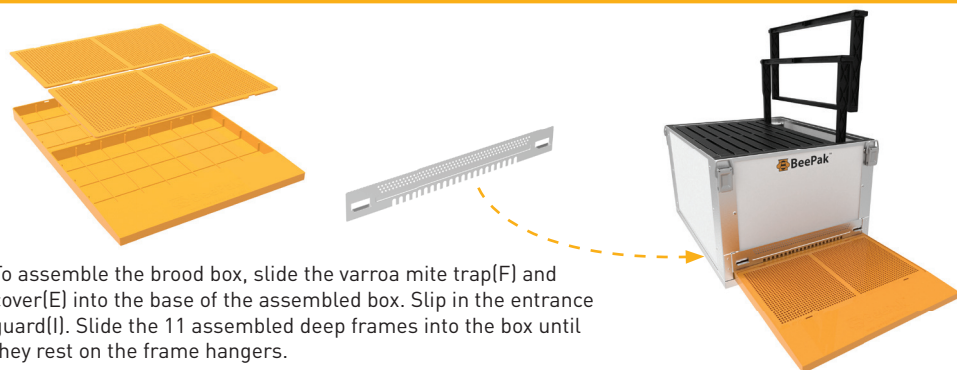
2 OUTER PANEL ASSEMBLY



To assemble the outer panels for the shallow supers fasten together the 4 side panels, 2 long panels(B) and 2 lockable panels(C) using the 8 screws(M) provided. Face the panels glossy side outwards.

Tighten the screws with a crosshead screwdriver.

3 BROOD BOX ASSEMBLY



To assemble the brood box, slide the varroa mite trap(F) and cover(E) into the base of the assembled box. Slip in the entrance guard(I). Slide the 11 assembled deep frames into the box until they rest on the frame hangers.

4 FINAL ASSEMBLY



Start with the brood box on the floor or flat surface. Next place the queen excluder(J) on top opening. Then place assembled supers on top followed by the lid. Lock all latches down so they are secured.

Place the 3-way valve [moisture escape valve / bee feeder valve / bee escape valve] (N) into the cavity on the lid.



CONGRATULATIONS YOU ARE NOW THE PROUD OWNER OF A BEEPAK HIVE.

WHAT'S IN THE BOX

